



LIFAN

Parts Catalog

LF110-7A

2018 Edition



UNIVERSAL

HARDWARE®

Box 585, Center Road
Spanish Lookout
Tel 501 823 0254
sales@universalhardware.bz

3380 Chetumal Street
Belize City
Tel 501 224 4140
salesbz@universalhardware.bz



ML100-A



LF110-7A



LF1200DT



ML125-5



ML125-7



ML125T-26



LF150-7



LF150GY-3B



LF200GY-4



LF250GY-4



LF150-10F



LF150-10S



ML200-16D



ML250-4



ML200ZH-3

F-01 灯具 LIGHTS



1001-1	Front Winker,RH	
1001-2	Headlight Assy	
1001-3	Front Winker,LH	
1001-4	Taillight Assy	
1001-5	Bulb 12v-10w	
1001-6	Bulb 12V-35/35W Headlight	
1001-7	Taillight Bulb (12v-21w/5w)	

F-02 仪表总成 METER ASSY



1002-1	Meter Assy	
1002-2	Bulb 12V-1.7W	
1002-3	Odometer Cable Comp.(disc brake)	
1002-4	Throttle Cable	
1002-5	Choke Cable	
1002-6	Meter Cable - Meter Wire Harness	

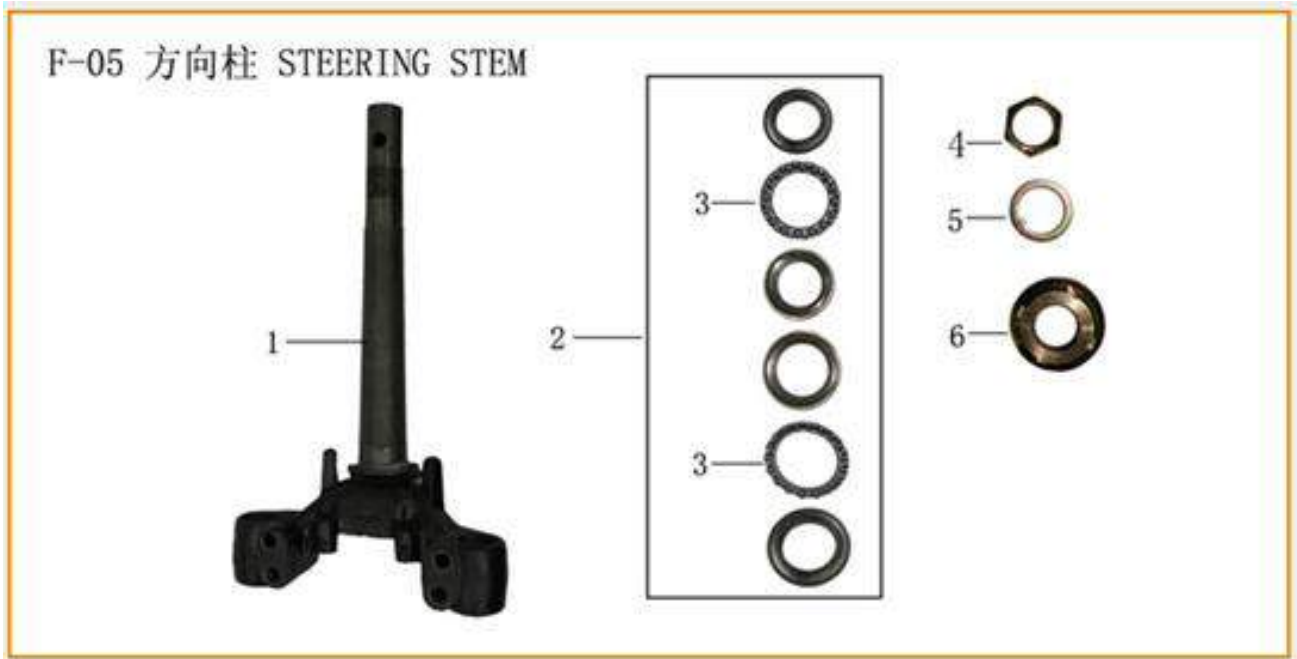


1003-1	RearView Mirror,LH	
1003-2	Handlebar Switch,LH	
1003-3	Steering Bar Comp.	
1003-4	Grip,LH	
1003-5	Steering Bar Balance Weight Set	
1003-6	Choke Lever	
1003-7	Choke Seat	
1003-8	Rearview Mirror,RH	
1003-9	Throttle Grip Comp.	
1003-10	Handlebar Switch,RH	
1003-11	Holder for Mirror	
1003-12	Front Brake Lever	
1003-13	Front Brake Switch	
1003-14	Clamp / Washer for Steering Bar	

F-04 前照灯护罩 HEADLIGHT HOOD



1104-1BA	Headlight Hood Black	
1104-1BU	Headlight Hood Blue	
1104-1G	Headlight Hood Green	
1104-1R	Headlight Hood Red	
1104-2	Meter Case	
1104-3BA	Front Cover Black	
1104-3BU	Front Cover Blue	
1104-3G	Front Cover Green	
1104-3R	Front Cover Red	
1104-4	Mid Guard	



1105-1	Steering Stem	
1005-2	Steering Stem Bearing Set	
1005-3	Steering Stem Bearing Ball	
1005-4	Locknut I	
1005-5	Washer Steering Stem Adjusting	
1005-6	Adjusting Nut Set	

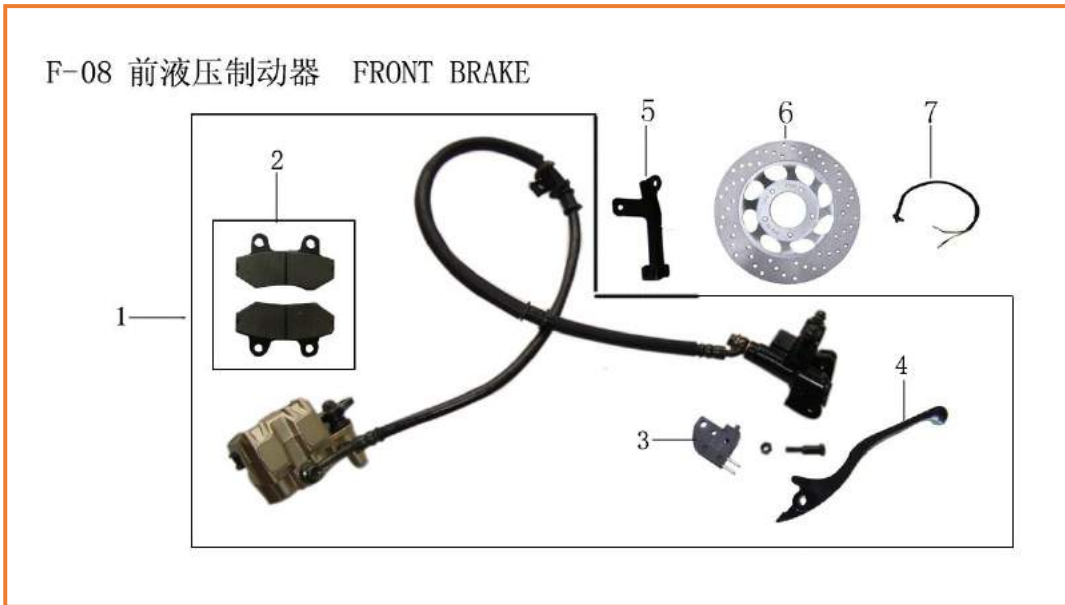
F-06 前挡泥板 FRONT FENDER



1106-1BA	Front Fender Black	
1106-1BU	Front Fender Blue	
1106-1G	Front Fender Green	
1106-1R	Front Fender Red	
1106-2BA	Front Fender Ornament,RH Black	
1106-2BU	Front Fender Ornament,RH Blue	
1106-2G	Front Fender Ornament,RH Green	
1106-2R	Front Fender Ornament,RH Red	
1106-3BA	Front Fender Ornament,LH Black	
1106-3BU	Front Fender Ornament,LH Blue	
1106-3G	Front Fender Ornament,LH Green	
1106-3R	Front Fender Ornament,LH Red	
1106-4	Odometer Cable Grommet	



1007-1	Dust Cover	
1007-2	Oil Seal,Shock Absorber	
1007-3	Bracket, Licnese Plate	
1107-4	Front Shock Absorber,RH	
1107-5	Front Shock Absorber,LH	
1007-6	Rear Shock Absorber	



1108-1	Front Hydraulic Brake Assy	
1108-2	Front Disc Brake Pad	
1108-3	Front Brake Switch	
1108-4	Front Brake Lever	
1108-5	Front Brake Hose Stay Comp	
1108-6	Front Brake Disc	
1108-7	Front brake Switch Wire	

F-09 前轮总成 FRONT WHEEL ASSY



1109-1	Front Tube(2.50-17)	
1109-2	Speedometer Gear Box	
1109-3	Front Wheel Dust Ring,RH	
1109-4	Speedometer Drive Claw	
1109-5	Front Tyre(2.50-17-4PR)	
1109-6	Front Wheel Right Bush	
1109-7	Front Wheel Hub	
1109-8	Front Axle	



11010-1	Rear Tube(2.75-17)	
11010-2	Rear Tyre(2.75-17-4PR)	
11010-3	Rear Wheel Buffer	
11010-4	Rear Wheel Hub Set	
11010-5	Sprocket Hub Comp	
11010-6	Sprocket	
11010-7	Rear Brake Shoe Set	
11010-8	Rear Brake	
11010-9	Rear Wheel Right Bush	
11010-10	Rear Wheel Bush,LH	
11010-11	Rear Axle	
11010-12	Adjust Nut M17x1	
11010-13	Bush, sprocket hub inner	



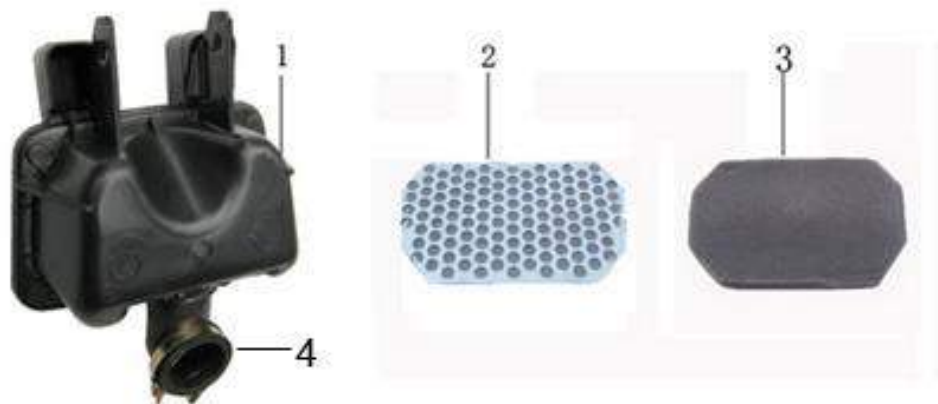
10011-1	Seat Assy	
10011-2	Rear Carrier Weldment	
10011-3	Tool Kit	
10011-4	Tool Box	
10011-5	Mid Carrier Comp	
10011-6	Seat Bracket Comp / Hinge	
10011-7	Front Seat Pad	

F-12 油箱总成 FUEL TANK ASSY



10012-1	Fuel Sensor	
10012-2	Fuel Filter Comp	
10012-3	Fuel Tank Connecting Block	
10012-4	Fuel Tank Weldment	
10012-5	Fuel Filler Cover	

F-13 空气滤清器总成 AIR CLEANER ASSY



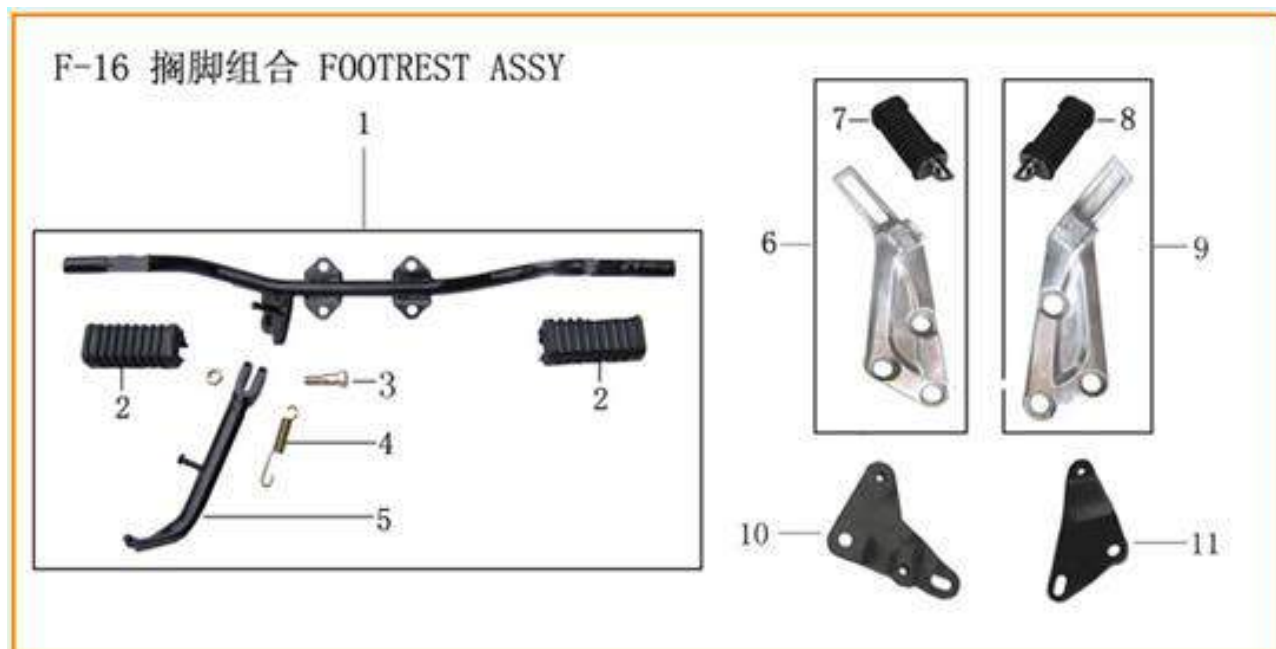
10013-1	Air Cleaner Assy	
10013-2	Air Cleaner Filter Screen	
10013-3	Air Cleaner Element	
10013-4	Connecting Air Cleaner Pipe (Rubber)	



10014-1	Exhaust Muffler Assy	
10014-2	Gasket,Exhaust Muffler	
10014-3	Muffler Guard	



10015-1	Center Stand Shaft	
10015-2	Center Stand Rubber	
10015-3	Center Stand Comp.	
10015-4	Center Stand Spring	
10015-5	Spring,Rear Brake Switch	
10015-6	Rear Brake Pedal Spring	
10015-7	Rear Brake Pedal Assy	
10015-8	Rear Brake Link Comp	
10015-9	Rear Brake Switch	
10015-10	Center Stand Spring Hook	
10015-11	Rear Brake Limit Bar	
10015-12	Rear Brake Pull Rod Spring	
10015-13	Rear Brake Rod Nut	

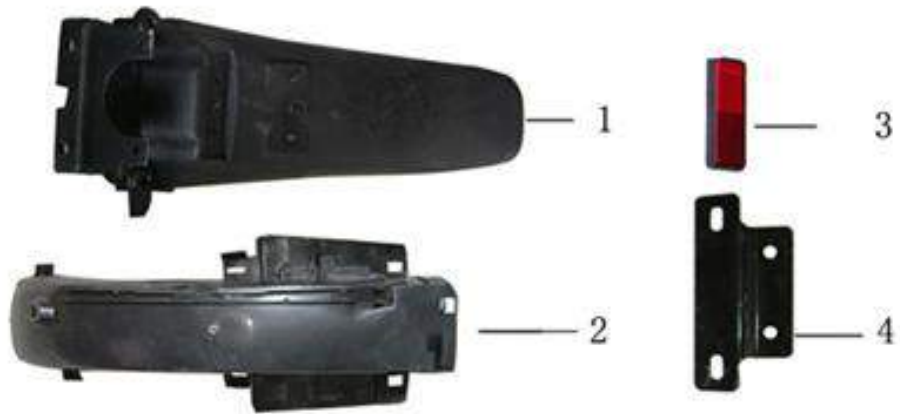


10016-1	Rider, Footrest Assy	
10016-2	Rider Rubber Treadle, RH	
10016-3	Shoulder Bolt I	
10016-4	Side Stand Spring	
10016-5	Side Stand Comp	
10016-6	Passenger Footrest Comp., LH	
10016-7	Passenger Treadle, LH	
10016-8	Passenger Treadle, RH	
10016-9	Passenger Footrest Comp., RH	
10016-10	Connecting Plate, Passenger Footrest LH	
10016-11	Passenger Footrest Connecting Plate, RH	



10017-1	Fork Assy,Rear	
10017-2	Rear Fork Bush	
10017-3	Rear Fork Shaft	
10017-4	Chain DID428-100L	
10017-5	Chain Guard	
10017-6	Chaincase Comp	
10017-7	Chain Adjuster Comp., RH	
10017-8	Chain Adjuster Comp., LH	
10017-9	Upper Chaincase Comp	
10017-10	Lower Chaincase Comp	
10017-11	Cover, view hole	
10017-12	Rear Brake Limit Bar	

F-18 后挡泥板 REAR FENDER



10018-1	Rear Fender,Rear Body	
10018-2	Rear Fender,Front Body	
10018-3	Rear Reflector	
10018-4	Rear License Bracket Comp.	



11019-1BA	Windshield Lining,RH Black	
11019-1BU	Windshield Lining,RH Blue	
11019-1R	Windshield Lining,RH Red	
11019-2BA	Windshield,RH Black	
11019-2BU	Windshield,RH Blue	
11019-2R	Windshield,RH Red	
11019-3	Windshield Stay	
11019-4BA	Windshield,LH Black	
11019-4BU	Windshield,LH Blue	
11019-4R	Windshield,LH Red	
11019-5BA	Windshield Lining,LH Black	
10019-5BU	Windshield Lining,LH Blue	
11019-5R	Windshield Lining,LH Red	

F-20 后围板 REAR COVER



11020-1BA	Side Cover,RH Black	
11020-1BU	Side Cover,RH Blue	
11020-1R	Side Cover,RH Red	
11020-2BA	Right Rear Panel Black	
11020-2BU	Right Rear Panel Blue	
10020-2R	Right Rear Panel Red	
11020-3BA	Rear-Mid Connecting Plate Black	
11020-3BU	Rear-Mid Connecting Plate Blue	
11020-3R	Rear-Mid Connecting Plate Red	
11020-4BA	Left Rear Panel Black	
11020-4BU	Left Rear Panel Blue	
11020-4R	Left Rear Panel Red	
10020-5	Special Screw Windshield M6x25	



10021-1	Front Cover Bracket	
10021-2	Basket Set	
10021-3	Lock Assy	
10021-4	Frame Weldment (2hang)	
10021-5	Seat Lock Latch	
10021-6	Battery Case	



10022-1	Main Cable	
10022-2	Ignition Controller	
10022-3	Voltage Regulator	
10022-4	Ignition Coil	
10022-5	Starting Relay	
10022-6	Flashing Relay	
10022-7	Horn	
10022-8	Battery (12v5ah)	
10022-9	Alarm	
10022-10	Brake Alarm Flashing Relay	

1P52FMH-3

Engine Parts

LF110-7A

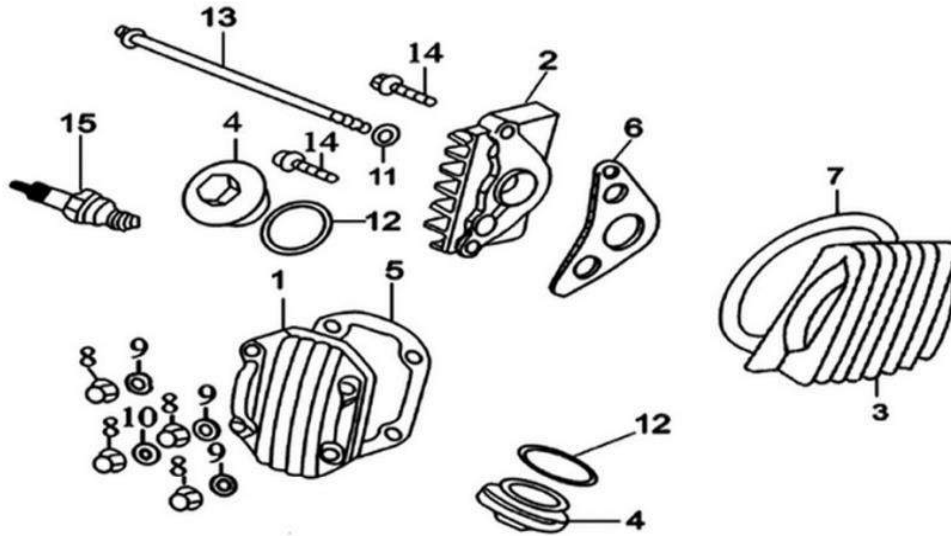


UNIVERSAL
H A R D W A R E®

Box 585, Center Road
Spanish Lookout
Tel 501 823 0254
sales@universalhardware.bz

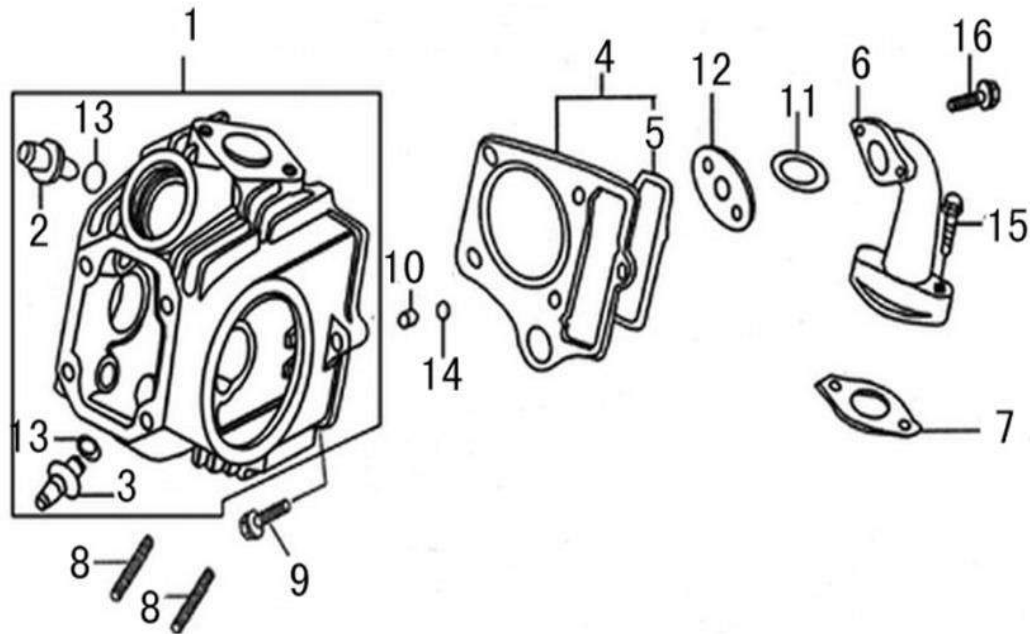
3380 Chetumal Street
Belize City
Tel 501 224 4140
salesbz@universalhardware.bz

E-1 气缸头盖 CYLINDER HEAD COVER



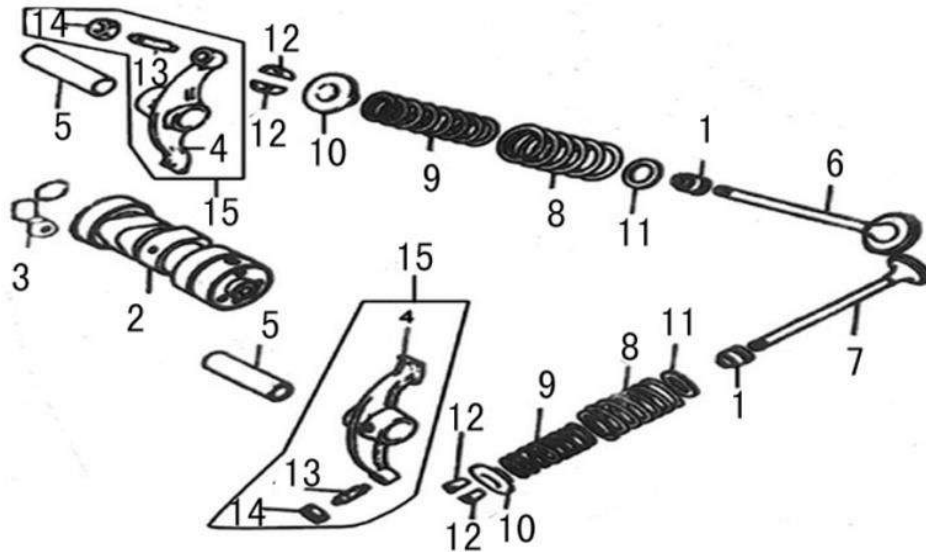
1521-1	Cylinder Head Cover	
1521-2	Cylinder Head Cover,RH	
1521-3	Cylinder Head Cover,LH	
1521-4	Valve Cover	
1521-5	Cylinder Head Cover Gasket	
1521-6	Cylinder Head Cover Gasket,RH	
1521-7	Cylinder Head Cover Gasket,LH	
1521-8	Cap Nut, M6	
1521-9	Steel Washer	
1521-10	Cylinder Copper Washer	
1521-11	Cylinder Head Cover Washer 6.5,RH	
1521-12	Valve Cover O-Ring 30.8x3.2	
1521-13	Stud M6x110	
1521-14	Stud M6x20	
1521-15	Spark Plug	

E-2 气缸头 CYLINDER HEAD



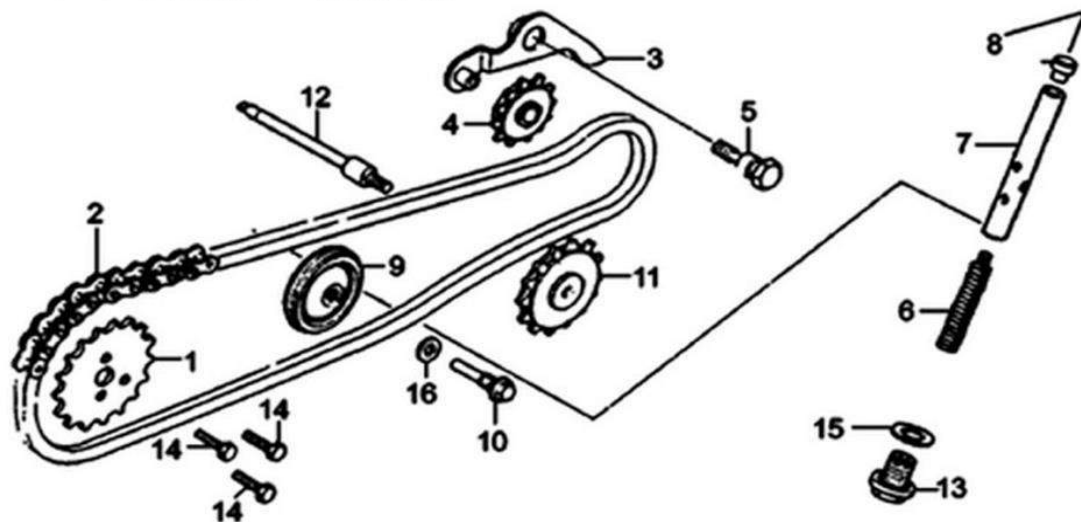
1522-1	Cylinder Head Comp.	
1522-2	Intake Valve Guide	
1522-3	Exhaust Valve Guide	
1522-4	Cylinder Head Gasket	
1522-5	Chain Chamber Gasket Comp.	
1522-6	Inlet Pipe	
1522-7	Inlet Pipe Gasket	
1522-8	Stud M6x34	
1522-9	Bolt M6x23	
1522-10	Cylinder Block Oil Bush $\Phi 8 \times 9$	
1522-11	Inlet Pipe O-Ring II 27x2.0	
1522-12	Inlet Pipe Insulator	
1522-13	O-Ring 9x1.6	
1522-14	Cylinder Block Rectangular Gasket 9x1.5	
1522-15	Bolt M6x28	
1522-16	Bolt M6x22	

E-3 凸轮轴、气门 CAMSHAFT & VALVE



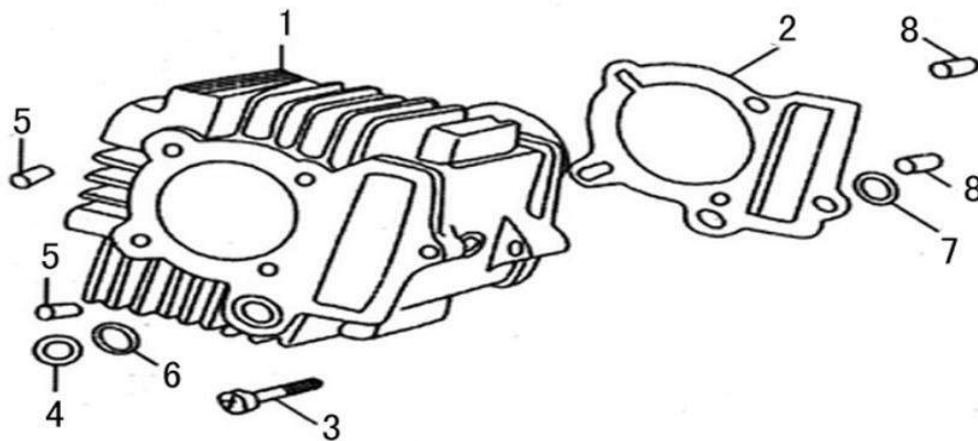
1523-1	Valve Stem Oil Seal	
1523-2	Camshaft Assy	
1523-3	Auto-Reducer Stopper	
1523-4	Valve Rocker Arm	
1523-5	Rocker Arm Shaft	
1523-6	Intake Valve	
1523-7	Exhaust Valve	
1523-8	Valve Outer Spring	
1523-9	Valve Inner Spring	
1523-10	Valve Spring Retainer	
1523-11	Valve Outer Spring Seat	
1523-12	Valve Split Cone	
1523-13	Valve Clearance Adjusting Screw	
1523-14	Valve Clearance Adjusting Nut	
1523-15	Rocker Comp.	

E-4 正时链条、张紧器 TIMING CHAIN & TENSIONER



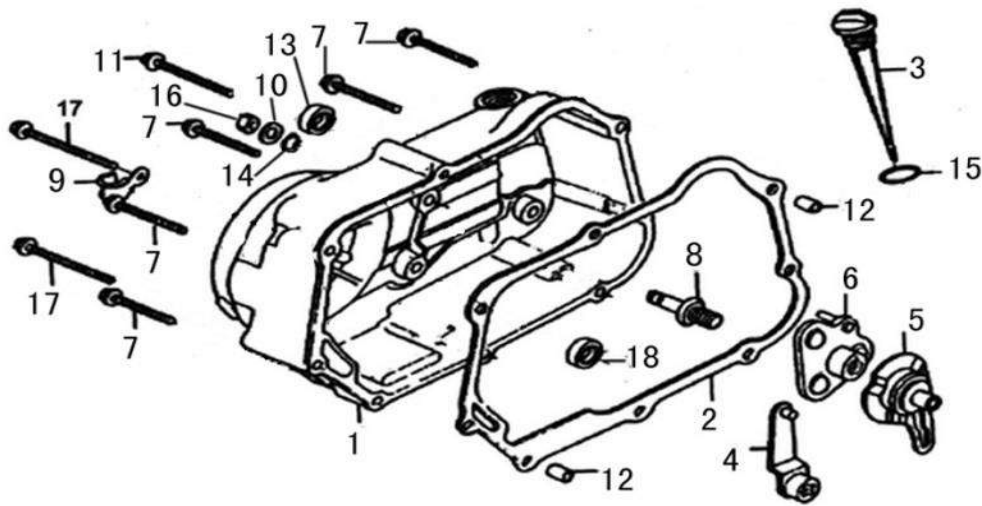
1524-1	Timing Driven Sprocket (28t)	
1524-2	Timing Chain (84t)	
1524-3	Tensioning Arm	
1524-4	Tensioning Roller	
1524-5	Tensioning Plate Screw	
1524-6	Tensioning Rod Spring	
1524-7	Tensioning Rod	
1524-8	Tensioning Rod Head	
1524-9	Guide Wheel	
1524-10	Guide Wheel Pin	
1524-11	Oil Pump Driving Sprocket	
1524-12	Oil Pump Sprocket Shaft	
1524-13	Tensioner Plug M14x1.5	
1524-14	Bolt, M5x12	
1524-15	Tentioner Gasket	
1524-16	Washer 8.5	

E-5 气缸体 CYLINDER



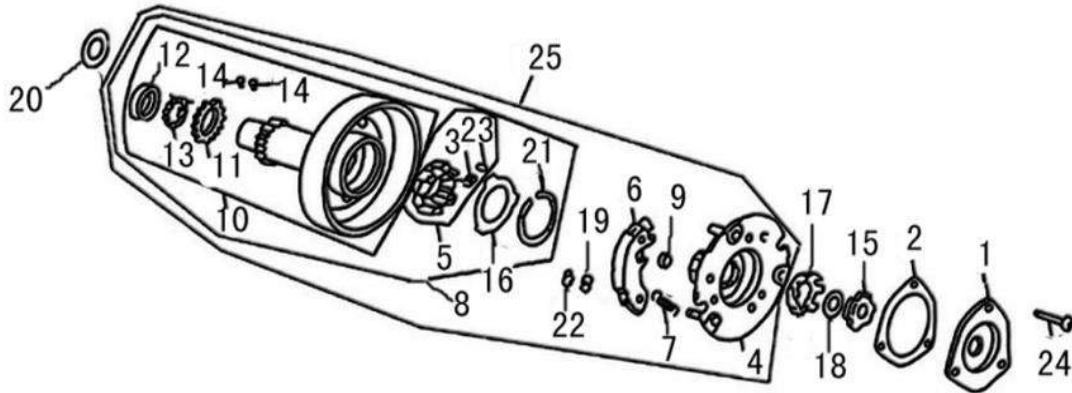
1525-1	Cylinder Block	
1525-2	Cylinder Block Gasket	
1525-3	Bolt M6x23	
1525-4	Cylinder Block Washer	
1525-5	Cylinder Head Dowel Pin,8x14	
1525-6	Rectangular Gasket 14.5x2.5	
1525-7	Rectangular Gasket II 11.5x2.6No.2	
1525-8	Cylinder Block Dowel Pin 8x12	

E-6 右曲轴箱盖 RIGHT CRANKCASE COVER



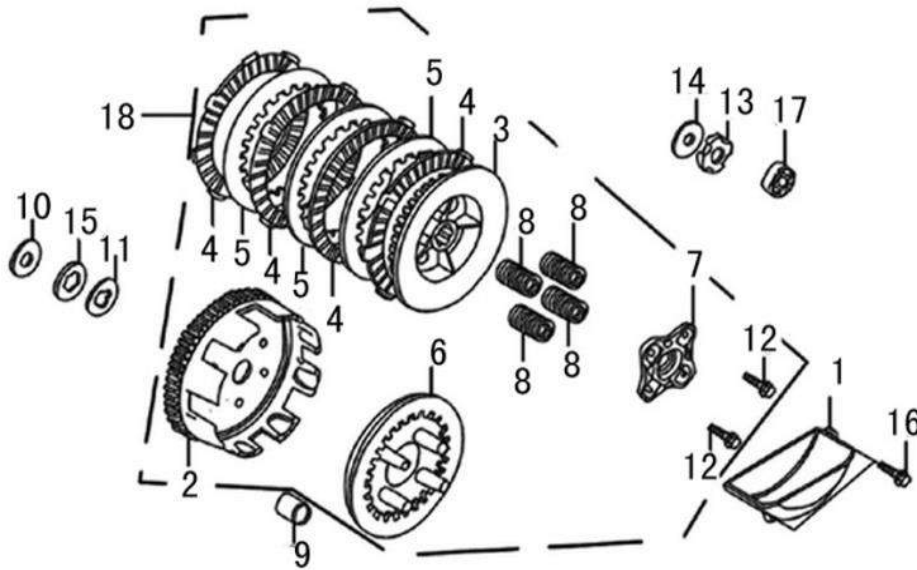
1526-1	Crankcase Cover,RH	
1526-2	Crankcase Cover Gasket,RH	
1526-3	Dipstick	
1526-4	Auto-Clutch Arm Comp.	
1526-5	Clutch Cam Plate	
1526-6	Clutch Tappet Comp.	
1526-7	Bolt M6x40	
1526-8	Auto-Clutch Adjusting Bolt	
1526-9	Ignition Coil Wire Clip	
1526-10	Auto-Clutch Adjusting Bolt Washer	
1526-11	Bolt M6x65	
1526-12	Crankcase Cover Dowel Pin 8x12,RH	
1526-13	Starting Shaft Oil Seal 13.8x24x5	
1526-14	O-Ring 8x1.6	
1526-15	Dipstick O-Ring 18x3	
1526-16	Nut M8	
1526-17	Bolt M6x80	
1526-18	Bearing 101410	

E-7 自动离合器 AUTO CLUTCH



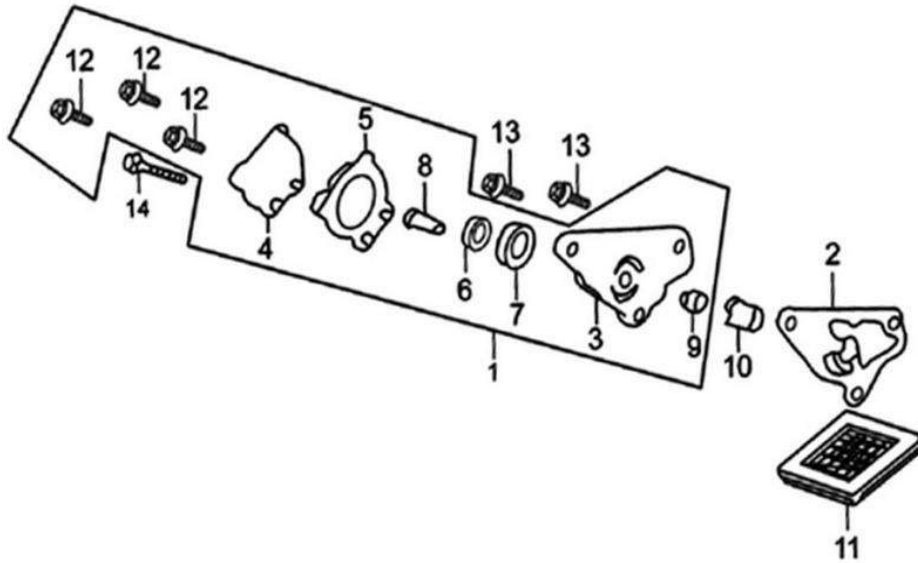
1527-1	Auto-Clutch Panel	
1527-2	Auto-Clutch Panel Seal	
1527-3	Overrunning Device Spring	
1527-4	Auto-Clutch Drive Disc Comp.	
1527-5	Overrunning Device	
1527-6	Clutch Shoe Comp.	
1527-7	Auto-Clutch Spring	
1527-8	Auto-Clutch Driven Disc Comp.	
1527-9	Auto-Clutch Cushion	
1527-10	Auto-Clutch Drive Gear Comp.	
1527-11	Auto-Clutch Counter Gear (17T)	
1527-12	Auto-Clutch Counter Gear Bush	
1527-13	Auto-Clutch Counter Gear Torsion Spring	
1527-14	Auto-Clutch Counter Gear Pin	
1527-15	Primary Drive Gear Locknut M14x1	
1527-16	Washer 30	
1527-17	Primary Drive Gear Thrust Washer	
1527-18	Primary Drive Gear Dish Washer	
1527-19	Washer 8	
1527-20	Auto-Clutch Thrust Washer 19	
1527-21	Snap Ring 45	
1527-22	Collar 7	
1527-23	Roller 5x8	
1527-24	Screw M5x6	
1527-25	Auto-Clutch Assy	

E-8 离合器总成 CLUTCH



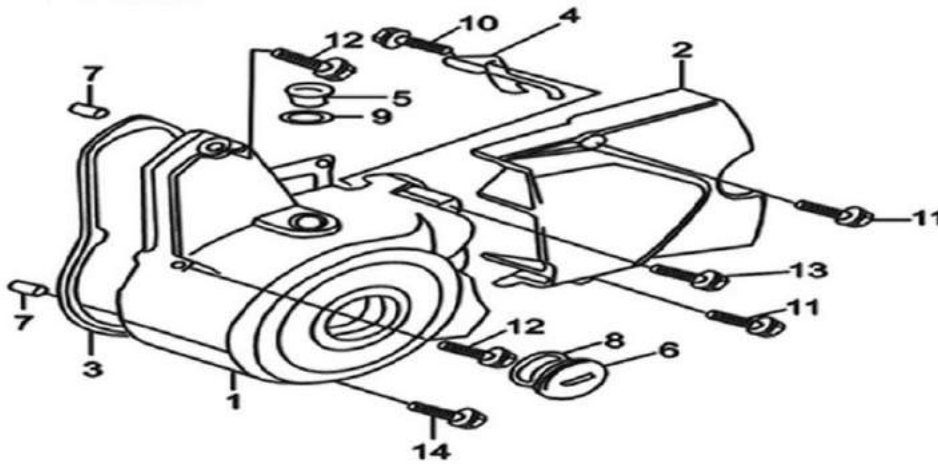
1528-1	Sump	
1528-2	Drive Disc Set	
1528-3	Driven Disc Set	
1528-4	Drive Plates	
1528-5	Driven Plates	
1528-6	Pressure Plate	
1528-7	Clutch Lifter Plate	
1528-8	Clutch Spring	
1528-9	Clutch Bush	
1528-10	Clutch Spacer	
1528-11	Washer	
1528-12	Bolt M6x22	
1528-13	Clutch Lock Nut M14	
1528-14	Lock Washer	
1528-15	Clutch Spline Washer B17	
1528-16	Bolt M6x20	
1528-17	Bearing 6000/FJK	
1528-18	Clutch Main Body	

E-9 机油泵 OIL PUMP



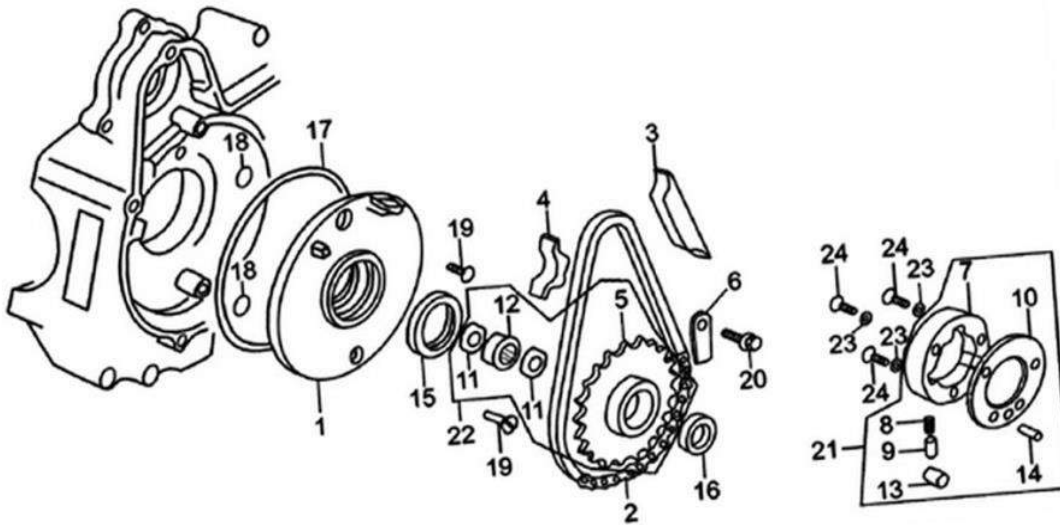
1529-1	Oil Pump Assy	
1529-2	Oil Pump Gasket	
1529-3	Oil Pump Housing	
1529-4	Oil Pump Cover	
1529-5	Oil Pump Cover Gasket	
1529-6	Oil Pump Inner Rotor	
1529-7	Oil Pump Outer Rotor	
1529-8	Oil Pump Shaft	
1529-9	Oil Pump Shaft Bush	
1529-10	Sprocket Sleeve	
1529-11	Oil Filter Screen	
1529-12	Screw M5x10	
1529-13	Screw M6x16	
1529-14	Screw M6x22	

E-10 左曲轴箱盖 LEFT CRANKCASE COVER



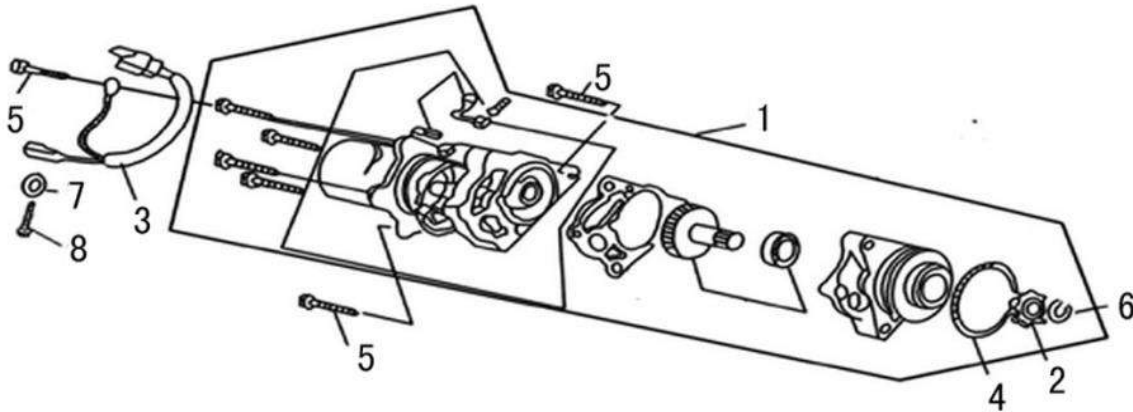
15210-1	Crankcase Cover, LH	
15210-2	Rear Cover, LH	
15210-3	Crankcase Cover Gasket,LH	
15210-4	Magneto Wire Gasket	
15210-5	View Hole Plug	
15210-6	Plug	
15210-7	Crankcase Cover Dowel Pin 8x12, RH	
15210-8	O-Ring 27x2.0	
15210-9	O-Ring 13.5x2.4	
15210-10	Bolt M6x16	
15210-11	Bolt M6x28	
15210-12	Bolt M6x30	
15210-13	Bolt M6x50	
15210-14	Bolt M6x65	

E-12 起动离合器 STARTING CLUTCH



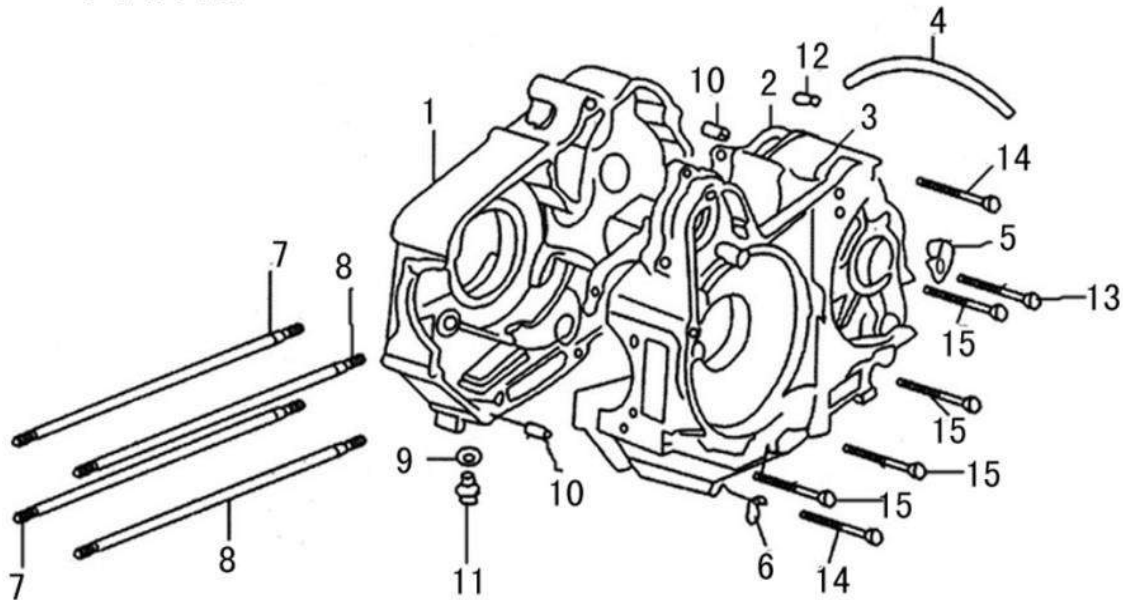
15212-1	Panel	
15212-2	Drive Chain 62T.	
15212-3	Drive Chain Tensioning Plate	
15212-4	Drive Chain Guide	
15212-5	Starting Clutch Sprocket	
15212-6	Sprocket Locating Plate	
15212-7	Starting Clutch Body Comp.	
15212-8	Starting Clutch Spring	
15212-9	Starting Clutch Spring Sleeve	
15212-10	Starting Clutch Cover	
15212-11	Starting Clutch Collar 23	
15212-12	Starting Clutch Needle Bearing 19x23x13	
15212-13	Roller 10x10,Starting Clutch	
15212-14	Pin 5x12, Start Clutch Cover,	
15212-15	Oil Seal 30x42x4.5	
15212-16	Crankcase Oil Seal18.9x30x5,LH	
15212-17	Magneto O-Ring 107x2	
15212-18	Magneto O-Ring II 6.5x1.9	
15212-19	Screw M6x16	
15212-20	Screw M6x14	
15212-21	Starting Clutch Assy	
15212-22	Starting Clutch Gear Comp.	
15212-23	Spring Washer6	
15212-24	Screw M6x16	

E-13 起动机 STARTING MOTOR



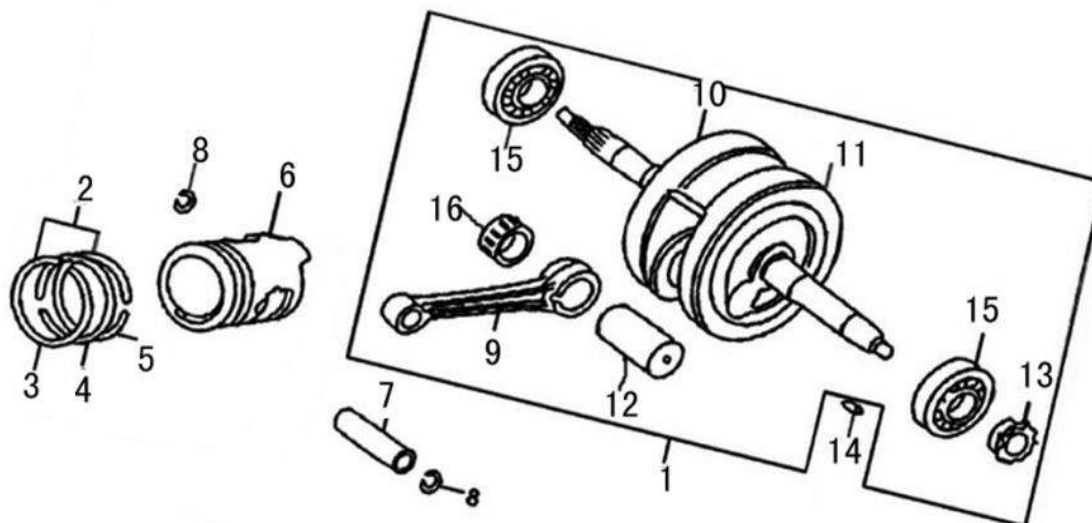
15213-1	Starting Motor Assy	
15213-2	Starting Motor Small Sprocket	
15213-3	Starting Motor Wire Harness	
15213-4	Starting Motor O-Ring	
15213-5	Bolt M6x50	
15213-6	Starting Motor Collar 12	
15213-7	Washer 4	
15213-8	Screw M4x6	

E-14 曲轴箱 CRANKCASE



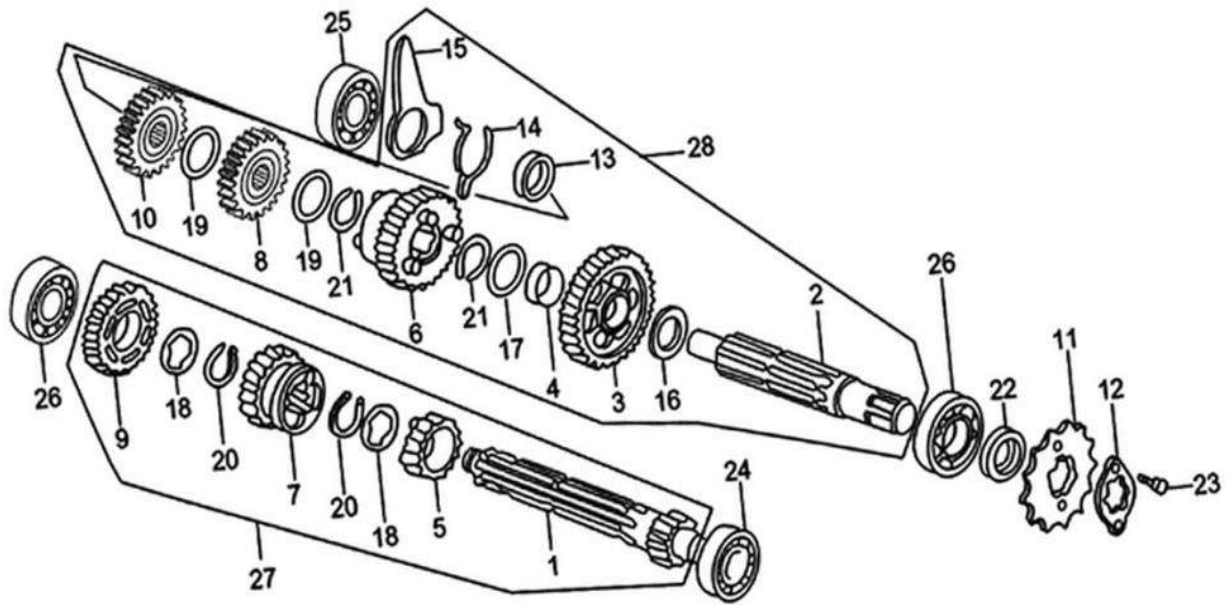
15214-1	Crankcase Comp, RH	
15214-2	Crankcase Gasket	
15214-3	Crankcase Comp.LH	
15214-4	Crankcase Exhaust Pipe I	
15214-5	Crankcase Exhaust Pipe Clip II	
15214-6	Engine Wire Clamp I	
15214-7	Cylinder Bolt A	
15214-8	Cylinder Bolt B	
15214-9	Plug Drain Washer	
15214-10	Crankcase Dowel Pin 10x14	
15214-11	Crankcase Drain Plug M12x1.5	
15214-12	Crankcase Exhaust Pipe Clip I	
15214-13	Bolt M6x50	
15214-14	Bolt M6x60	
15214-15	Bolt M6x65	

E-15 曲轴、活塞 CRANKSHAFT & PISTON



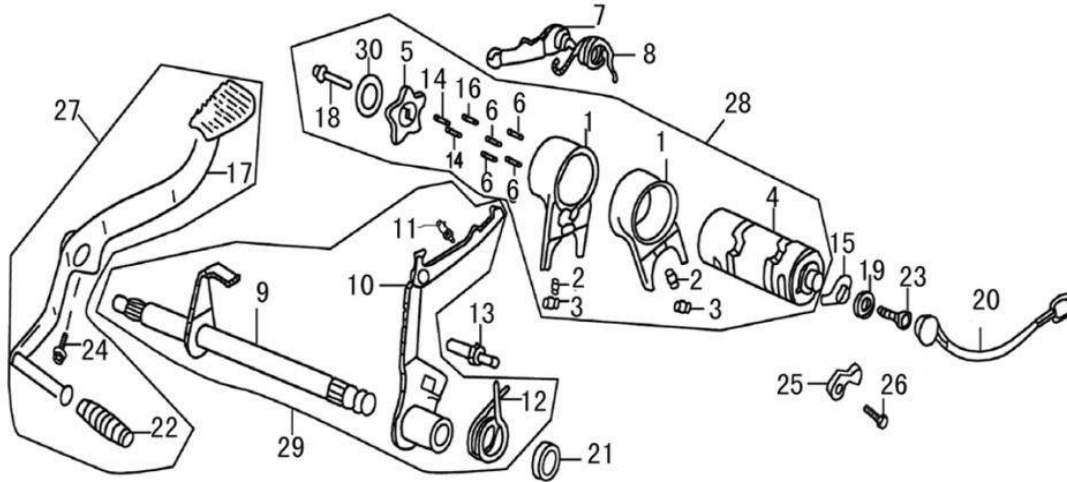
15215-1	Crankshaft & Connecting Rod	
15215-2	Piston Ring Set	
15215-3	Piston Ring I	
15215-4	Piston Ring II	
15215-5	3-Piece Oil Ring	
15215-6	Piston	
15215-7	Piston Pin	
15215-8	Piston Pin Circlip	
15215-9	Connecting Rod	
15215-10	Crank Comp,RH	
15215-11	Crank, LH	
15215-12	Crankshaft Pin	
15215-13	Timing Drive Sprocket	
15215-14	Crankshaft Woodruff Key	
15215-15	Bearing 6304	
15215-16	Connecting Rod Big Head Bearing	

E-16 传动机构 TRANSMISSION



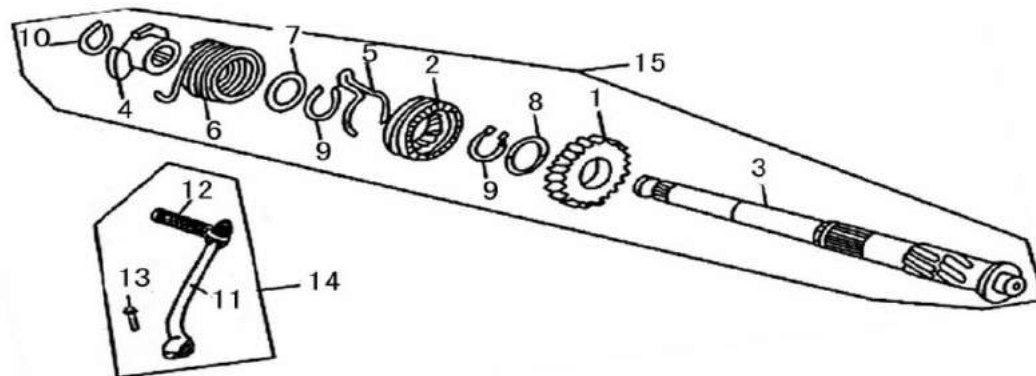
15216-1	Mainshaft	
15216-2	Countershaft	
15216-3	Countershaft 1st Gear	
15216-4	Countershaft 1st Gear Bush	
15216-5	Mainshaft Second Gear	
15216-6	Countershaft Second Gear	
15216-7	Mainshaft Third Gear	
15216-8	Countershaft Third Gear	
15216-9	Mainshaft Fourth Gear	
15216-10	Countershaft Fourth Gear	
15216-11	Output Sprocket	
15216-12	Output Sprocket Locating Plate	
15216-13	Gear Setting Plate Sleeve	
15216-14	Gearshift Drum Limiter Spring	
15216-15	Gearshift Drum Limiter	
15216-16	Countershaft Washer 17	
15216-17	Countershaft Washer II 20	
15216-18	Mainshaft Spline Washer	
15216-19	Countershaft Spline Washer I	
15216-20	Mainshaft Circlip 17	
15216-21	Countershaft Circlip 20	
15216-22	Countershaft Oil Seal	
15216-23	Bolt M6x8	
15216-24	Bearing 6001/FJK	
15216-25	Bearing 6201/FJK	
15216-26	Bearing 6203/FJK	
15216-27	Mainshaft Assy	
15216-28	Countershaft Assy	

E-17 变档凸轮 GEARSHIFT DRUM



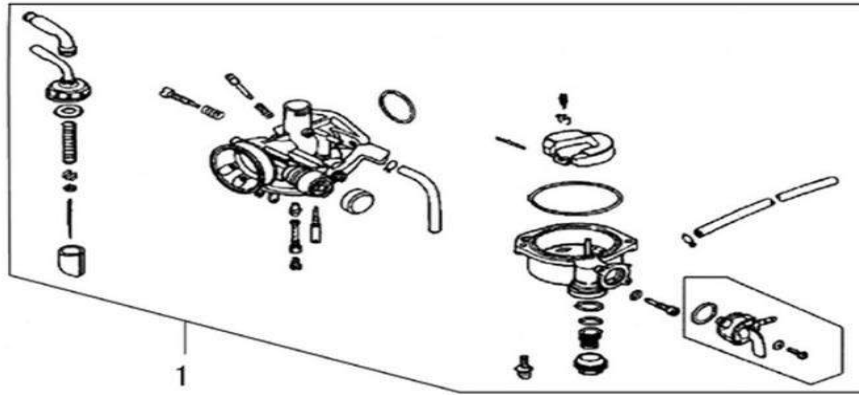
15217-1	Fork	
15217-2	Striking Pin	
15217-3	Clip	
15217-4	Gearshift Drum	
15217-5	Gearshift Cam	
15217-6	Gear Indicating Pin	
15217-7	Limit Block	
15217-8	Setting Plate Torsion Spring	
15217-9	Gearshift Shaft Set	
15217-10	Gearshift Shifter Comp.	
15217-11	Shifter Spring	
15217-12	Gearshift Shaft Return Spring	
15217-13	Back Spring Set Screw	
15217-14	RollerΦ3x8.5	
15217-15	Gear Indicator Contact Point Comp.	
15217-16	Gear Indicating Pin II	
15217-17	Gearshift Pedal Weldment	
15217-18	Bolt M6x16	
15217-19	Spring Washer 6	
15217-20	Gear Wire Comp.	
15217-21	Gearshift Shaft Oil Seal11.6x24x10	
15217-22	Gearshift Pedal Rubber Boot	
15217-23	Bolt M6x16	
15217-24	Bolt M6x20	
15217-25	Gear Indicator Pressure Plate	
15217-26	Screw M6x12	
15217-27	Gearshift Pedal Assy	
15217-28	Gearshift Drum Assy	
15217-29	Gearshift Shaft Assy	
15217-30	Gearshift Cam Washer III	

E-18 反冲起动机构 KICK-STARTER



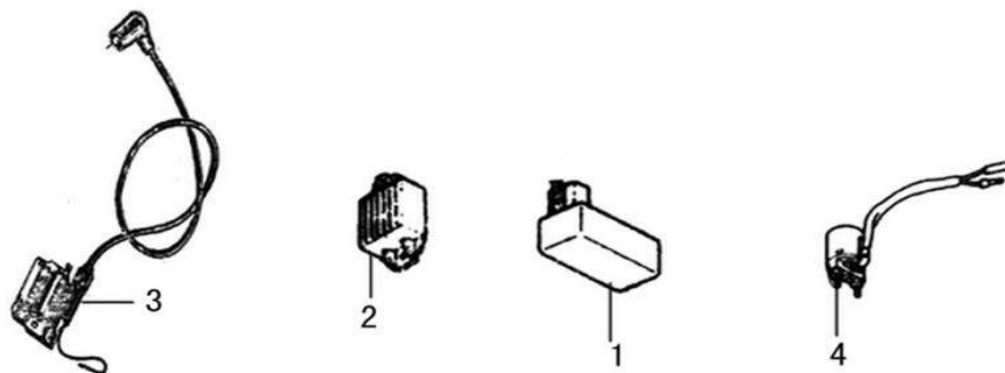
15218-1	Starting Gear	
15218-2	Ratchet	
15218-3	Starting Shaft	
15218-4	Starting Shaft Spring Seat	
15218-5	Starting Gear Friction Spring	
15218-6	Starting Torsion Spring	
15218-7	Starting Shaft Washer 17	
15218-8	Starting Shaft Washer II 20	
15218-9	Starting Shaft Snap Ring 20	
15218-10	Starting Shaft Snap Ring II 16	
15218-11	Starting Arm	
15218-12	Starting Arm Assy Rubber Boot	
15218-13	Bolt M6x25	
15218-14	Starting Arm Assy	
15218-15	Starting Shaft Assy	

E-19 化油器 CARBURTOR



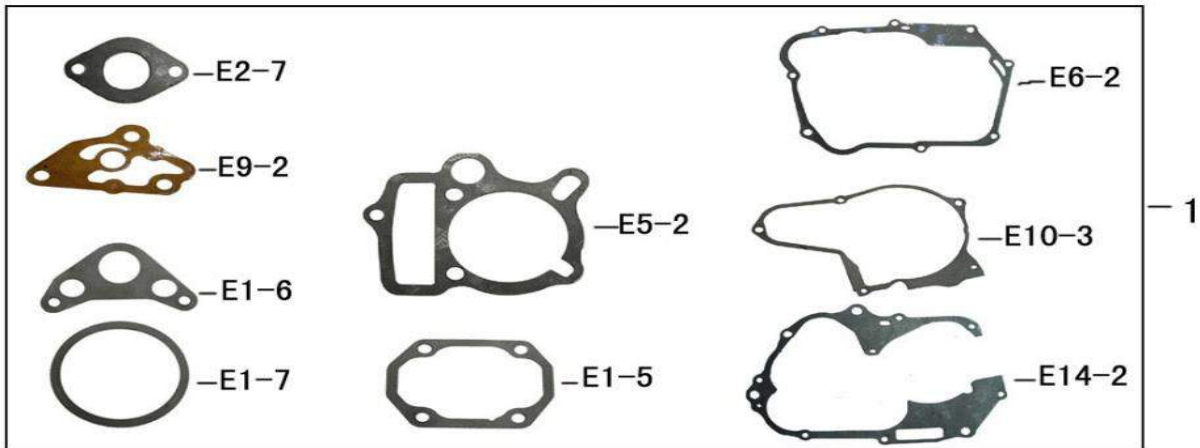
15219-1	Carburetor Assy	
---------	-----------------	--

E-20 电器 ELEMENT



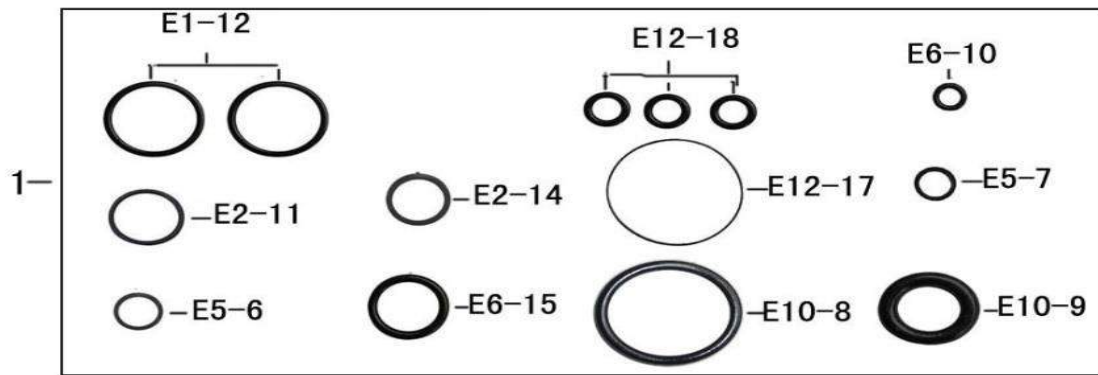
15220-1	Ignition Controller	
15220-2	Voltage Regulator	
15220-3	Ignition Coil	
15220-4	Starting Relay	

E-21 全套纸垫 A FULL SET OF GASKETS



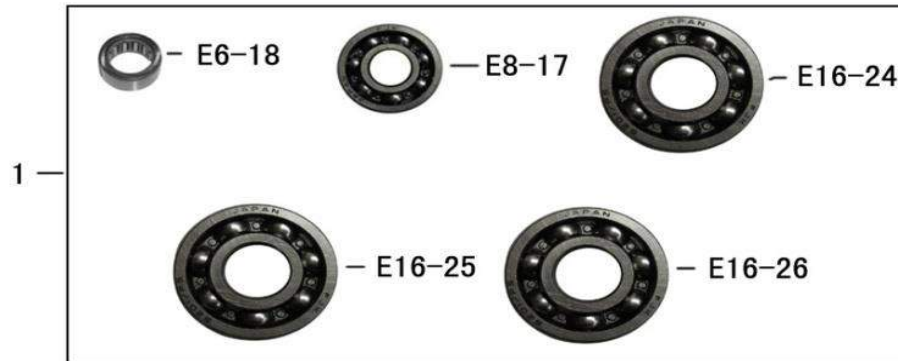
<p>15221-1</p>	<p>A Full Set Of Gaskets</p>	
-----------------------	-------------------------------------	--

E-22 全套密封圈 A FULL SET OF O-RINGS



15223-1	A Full Set Of Oil Seals	
---------	-------------------------	--


E-24 全套轴承 A FULL SET OF BEARINGS



15224-1	A Full Set Of Bearings	
---------	-------------------------------	--

LF110-7A

Parts Catalog

- **Always wear a helmet while driving Motorcycles**
 - **Always have your headlights on while driving, even during the day – for safety reasons and longer battery life**
 - **Make sure all lights work properly at all times**
 - **Always drive with Insurance Coverage, Licensed Motorcycle and Motorcycle Driver's License**
 - **Change oil (SAE15W/40SE) after the first 500 KMs and after every 2,000 KMs**
 - **Use Regular Gas**
 - **Always Drive with Awareness for SAFETY.**
- 



Meilun Motorcycle Warranty Policy

Meilun Motorcycles are under 3 months or 2,000 KMs warranty – whichever comes first. Specific items under warranty are:

- The Engine, and its related parts
- Cables, Horn, Switches
- And any other manufacturer's defect on motorcycle.

The following items are *not* covered under this warranty:

- Tires, Tubes, Chain & Sprockets
- Covers, Mirrors, Light Lenses, Alarm System
- Battery – unless convincing evidence shows defect
- And any other damages or wear & tear occurring under the owner's care.